

Modulostar® CUS10

FUSE HOLDERS, FUSE BASES AND SUPPORTS

IEC+UL/CSA FUSE HOLDERS



The innovative and comprehensive Modulostar® range of Mersen fuse-holders.

Modular fuse-holders are finger-safe under IEC standards to an IP20 grade of protection, including fuse changing (with the flick of a finger). Modular fuse-holders are available in 1, 2, 3 or 4 poles, with or without visual blown fuse indicator, in UL + IEC version.

Multi-pole units can also be field assembled by ordering pin-ties assembly kit.

Modulostar® range is made of tough and durable thermoplastic or thermoset material.

TECHNICAL DATA OVERVIEW

UL ratings AC	800 VAC, 32 A, 200 kA
UL ratings DC	1000 VDC, 32 A, 100 kA
Voltage Range AC	690 ... 1000 VAC
Voltage Range DC	690 ... 1000 VDC
Amper (A)	32 A
SCCR	200 kA
Mounting	Installation on to DIN rails to EN 60715
Product Size	For cylindrical fuse links 10x38 or Midget
Number of poles	1 to 4 poles

FEATURES & BENEFITS

- Modular design
- Compact design for space saving
- DIN rail mounting
- Degree of protection: IP20
- Finger safe
- Easy access to the fuse
- Lockable without accessory
- Sealable in closed & open position
- Optional visual blown fuse indicator
- Multi-pole assembly kit available
- Plastic material UL94V2 mini
- Plastic material R22HL2 for railway application
- Flame retardant materials with glow wire flammability index to 960°C
- Shock and vibration tested for marine and railway applications

APPLICATIONS

- All circuits up to 690V for protection of motors, transformers, low voltage distribution, control circuits, drive protection
- Non-load operation

STANDARDS

- UL Recognized Component, UL4248, guide IZLT2
- CSA Certified C22.2
- IEC 60269-2 and IEC 60947-3
- RoHS, Reach compliant
- Marine certificates



PRODUCT RANGE



CUS101



CUS103N



CUS101I



CUS103NI

Modulostar™ compact fuse holders for 10.3x38.1 fuse-links, without indicator

Catalog number	Item number	Number of poles/phases	Design	Package	Weight
CUS101	G1062721	1	CUS10 single pole	12	45 g
CUS101N	C1062717	1+N	CUS10 single pole + neutral conductor	6	95 g
CUS102	D1062718	2	CUS10 double pole	6	92 g
CUS103	A1062715	3	CUS10 triple pole	4	0.14 kg
CUS103N	W1062711	3+N	CUS10 triple pole + neutral conductor	3	0.19 kg
CUS104	X1062712	4	CUS10 quadruple pole	3	0.19 kg
CUS10N	H1062722	N	CUS10 neutral conductor	12	49 g

Modulostar™ compact fuse holders for 10.3x38.1 fuse-links, with standard indicator

Catalog number	Item number	Number of poles/phases	Design	Voltage limit for blown fuse indicator	Package	Weight
CUS101I	J1062723	1	CUS10 single pole	-	12	46 g
CUS101NI	E1062719	1+N	CUS10 single pole + neutral conductor	-	6	95 g
CUS102I	F1062720	2	CUS10 double pole	-	6	93 g
CUS103I	B1062716	3	CUS10 triple pole	-	4	0.14 kg
CUS103NI	Y1062713	3+N	CUS10 triple pole + neutral conductor	-	3	0.19 kg
CUS104I	Z1062714	4	CUS10 quadruple pole	-	3	0.19 kg
-	on demand	-	Version with special indicator	Standard: 220V-700V AC/DC Very low: 20V-50V AC/DC Low: 50V-250V AC/DC 1000V: 220 - 1000V AC/DC	-	-

TECHNICAL DATA

	CUS10	CUS10I
Size	10x38	10x38
Number of poles/phases	1, 1+N, 2, 3, 3+N, 4	1, 1+N, 2, 3, 3+N, 4
UL ratings AC	800 VAC, 32 A, 200 kA	800 VAC, 32 A, 200 kA
UL ratings DC	1000 VDC, 32 A, 100 kA	1000 VDC, 32 A, 100 kA
Conventional free air thermal current with fuse links I_{th}	32 A	32 A
Max. power dissipation of fuse links P_n	3W	3W
Max. power dissipation	4 W	4 W
Power dissipation of fuse-holder	0.4 W	0.4 W
Utilisation category	AC20B/DC20B	W
Rated insulation voltage U_i	1000 V	1000 V
SCCR	200 kA	200 kA
Rated impulse withstand voltage U_{imp}	6 kV	6 kV
Degree of protection	IP 20	IP 20
Voltage limit for blown fuse indicator	-	220 to 700V AC/DC
Indication System	-	with indicator
Operating temperature	-40°C to 70°C with carrier operation -50°C to 90°C without carrier operation	-40°C to 70°C with carrier operation -50°C to 90°C without carrier operation
Storage temperature	-40°C to 70°C	-40°C to 70°C
Connection	Max. tightening torque: 2Nm (17.7lbs.-in) Rigid / Multistrand wire = 1-16mm ² (16-6AWG) Max. 2x6mm ² PZ2 or flat 5.5x1mm screw drivers recommended (max. diameter 6mm)	Max. tightening torque: 2Nm (17.7lbs.-in) Rigid / Multistrand wire = 1-16mm ² (16-6AWG) Max. 2x6mm ² PZ2 or flat 5.5x1mm screw drivers recommended (max. diameter 6mm)

SPECIFIC USAGE CONDITIONS

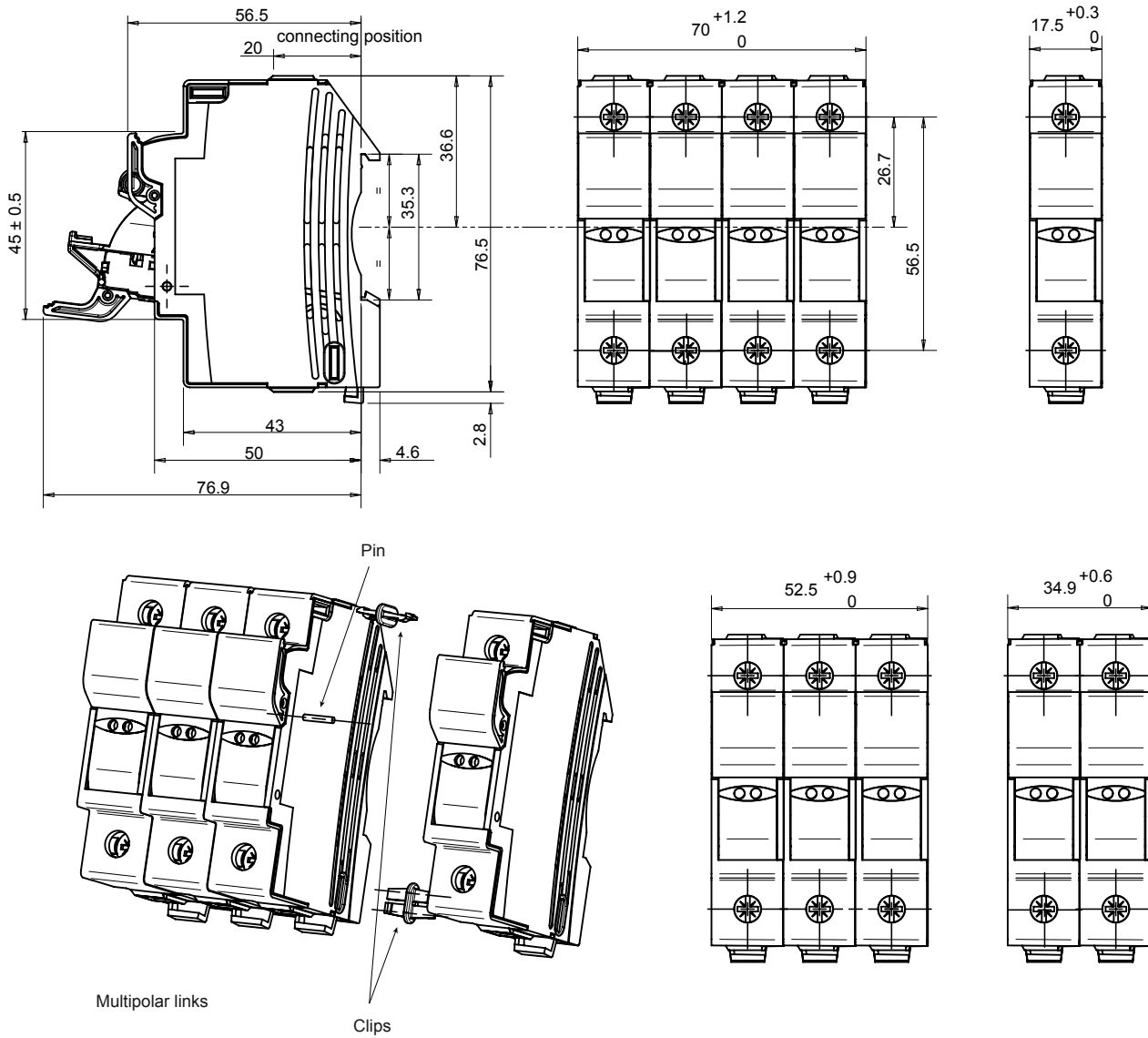
Ambient temperature	-40° to 20°C	30°C	40°C	50°C	60°C	70°C	80°C	90°C
Derating factor (I_e)	1	1	1	0.92	0.83	0.73	0.62	0.48
Humidity	95%	90%	80%	50%	-	-	-	-
Dampness derating	1	0.95	0.90	-	-	-	-	-

No of poles (side by side)	1 to 3	>= 4
Derating factor of current (I_{th})	1	0.9

Modulostar® CUS10

DIMENSIONS

MODULOSTAR® CUS10 fuse-holders for cylindrical fuse-links class 10x38mm



Dimensions in mm

ACCESSORIES



CMS810PAK

Kit for multi phase connection

Catalog number	Item number	Features	Package	Weight
CMS810PAK	Z233725	Links for connection of multipole units	12	0.5 g

ACCESSORIES



LOCK

Locking devices

Catalog number	Item number	Features	Package	Weight
LOCK	M223525	Padlock	1	0.48 kg



TBB1AL



TBB1CL



TBB23A

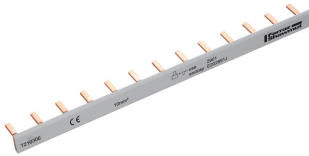


TBB23C

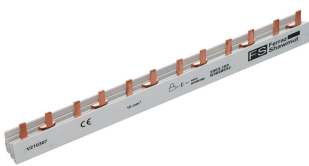
Power supply

Catalog number	Item number	Application	Features	Package	Weight
TBB1AL	X1068370	Max. rms current 90A	1 phase axial incoming power supply	50	10.1 g
TBB1CL	Y1068371	Max. rms current 90A	1 phase lateral incoming power supply	50	10 g
TBB23A	F210317	Max. rms current 90A	2 & 3 phases axial incoming power supply	50	23.3 g
TBB23C	G210318	Max. rms current 90A	2 & 3 phases lateral incoming power supply	50	23.1 g

Wiring bars / Insulated bus bars



CMS810BB1F13



CMS810BB2F6

Catalog number	Item number	Application	Features	Package	Weight
CMS810BB1F13	T210306	Max. rms current 63A, for installation of 13 modules	single pole, 10 mm ² , partition 17,5 mm (distance of poles), peg design, L-shaped	10	33.5 g
CMS810BB2F6	V210307	Max. rms current 63A, for installation of 6 modules	double pole, 10 mm ² , partition 17,5 mm (distance of poles), peg design, L-shaped	10	80 g
CMS810BB3F4	W210308	Max. rms current 100A, for installation of 4 modules	triple pole, 10 mm ² , partition 17,5 mm (distance of poles), peg design, L-shaped	10	84 g
CMS810BB4F3	X210309	Max. rms current 100A, for installation of 3 modules	quadruple pole, 10 mm ² , partition 17,5 mm (distance of poles), peg design, L-shaped	10	0.12 kg

MERSEN reserves the right to change, update or correct, without notice, any information contained in this datasheet.